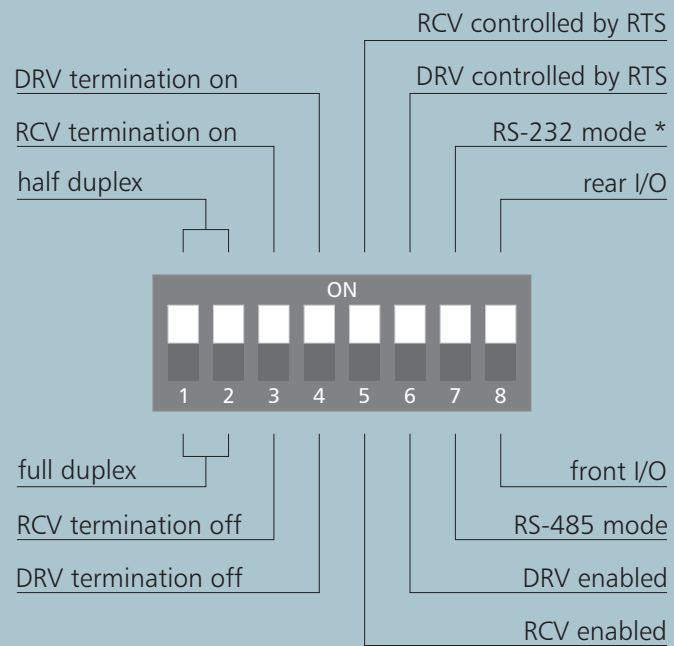


© EKF  
ekf.com



SU4-SOPRANO  
Dip-Switch Setup  
(One of 8 Ports)

\* for RS-232 mode switches 1-6 must be set to off